

FORM B: CAPITAL APPLICATION

PROJECT NAME: LHD MODEL; WJ-1
 PROJECT LEADER: J PIERRE NIYITEGEKA CONS. ASS. NO.: _____
 DATE: 22 January 2025 CA NO.: _____

A	PROJECT DESCRIPTION
	LHD; Model; WJ-1 Underground Loader from QIXIA DALI MINING MACHINERY CO.LTD CHINA Specs; 1m3 remote control with video

B	MOTIVATION
	We need an extra Load-Haul-Dump (LHD) machine to ensure that all the tailings are removed from the decline, especially as we are opening new working places.

C	SELECTED COSTING OPTION			
EQUIPMENT LIST	QUANTITY	UNIT	UNIT PRICE	PRICE (USD)
Costing				
LHD	1	PCS	\$60 000	\$60 000

Ref Number		Date of Implementation	
Version		Date of last revision	

2025 Budget : \$124 000

Sub Total				\$60 000
Taxes and Assessment				
TOTAL				

D	RISK ASSESSMENT
<p>Currently, we don't have enough Load-Haul-Dump (LHD) results, which is causing delays in bringing out the blasted tailings from the decline. This delay affects the cleaning time, especially when we experience equipment breakdowns.</p>	

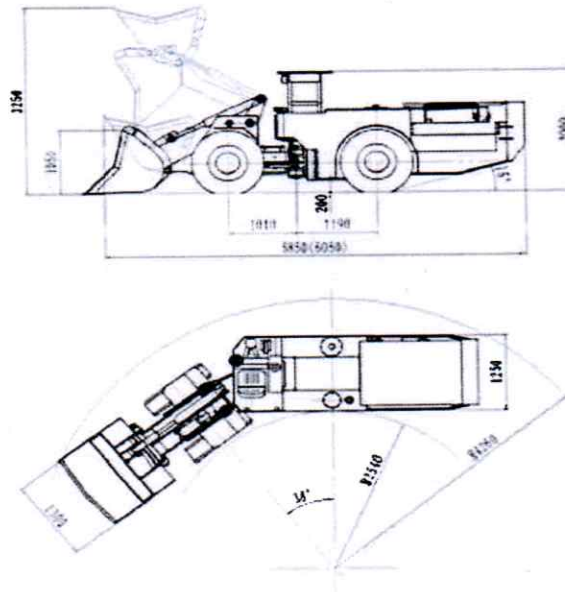
Ref Number	Date of Implementation

Technical Specification

Dimension	
Overall Size	5850(6050)*1300*2000
Min. Ground Clearance	200mm
Max. Lift Height	3250mm
Max. Unloading Height	1050mm
Capacity	
Bucket	1m ³ (1.5yards)
Payload	2000KG
Max Breakout Force	45KN
Max Traction	50KN
Climing Ability(Laden)	20°
Axle Oscillation Angle	± 8°

Performance	
Speed	0-8km/h
Boom Raising Time	≤ 3.8s
Boom Lowering Time	≤ 1.9s
Dumping Time	≤ 2.5s
Weight	
Operation Weight	6750kg
Laden Weight	8750kg
Front Axle(Empty)	2230kg
Rear axle(Empty)	4520kg
Front Axle(laden)	5050kg
Rear Axle(laden)	3700kg

Dimension Drawing



Ref Number		Date of Implementation	
Version		Date of last revision	



TRINITY

NYAKABINGO

General

Engine
 Engine DEUTZ BF4L914 / 66kw
 Emission.....EURO II / Tier 2
 Air Filter.....Two stage & dry type
 Purifier.....Catalytic purifier with silencer

Transmission
 Type.....Hydrostatic
 Pump.....DANFOSS T90
 Motor.....SAUER MV23
 Transfer Case ...DLWJ-1

Axle
 Brand.....DALI
 Model.....PC-15-B F/R
 Type.....Rigid planetary axle

Tire
 Model.....10.00-20 PR14 L-4S
 Material.....Nylon

Operator's Compartment

Canopy
 Floor washable with water to reduce dust
 Low frequency suspension seat

Dashboard & Displays
 Critical warnings and alarms Displayed as warning lights
 Instrument Panel Electric gauges
 Instrument Panel Illuminated switches

Frame

Rear & Front Frame
 High strength welded steel structure with optimized material thicknesses
 Tanks Bolted & Welded

Bucket
 Bias 450(anti-wear)Material
 Type V shaped(reduce resistance)

Hydraulic

Filling pump for hydraulic oil
 Oil cooler for hydraulic oil
 120L Hydraulic oil tank capacity

Ref Number		Date of Implementation	
Version		Date of last revision	

LHD (Scooptram) Specification



Ref Number		Date of Implementation	
Version		Date of last revision	

CEO	
BOARD	

NOTE: attach additional quotes or supporting documents if necessary

Ref Number		Date of Implementation	
Version		Date of last revision	

**TRINITY METALS LIMITED
SUPPLY CHAIN
SOLE SUPPLIER MOTIVATION / BID WAIVER FORM**

In compliance to FIN 01: DELEGATION OF AUTHORITIES POLICY

- All Purchase Orders >\$ 500 must be supported by 3 quotes obtained through the tender process by the Supply Chain Department.
- All exceptions to the tender 3 quote Procurement process will be subject to a written Deviation Request, being in the form of a Bid Waiver Motivation/Sole Supplier Motivation.
- A **Bid Waiver Motivation** should be completed in instances where there are other potential suppliers, but sound reasons exist not to go out on tender to multiple potential bidders, before selecting the final supplier.
- A **Sole Supplier Motivation** shall be used only in instances where there is no other supplier providing the required product(s) and/or service(s).

SOLE SUPPLIER MOTIVATION

BID WAIVER MOTIVATION

(Tick the appropriate box)

Discipline/Department:

MINING DEPARTMENT

Contact person:

Jean Pierre NIYITEGEKA

Tel. no.:

+250788601775

(Approved document to be attached to the Purchase Requisition)

Product(s) or service(s) required	LHD MODEL; 1m3 remote control with video
Background information	We need this extra LHD to ensure that all the tailings are coming out from Decline where we are opening new working places.
Scope of service(s) or product(s) required	LHD SCOOP
Details of recommended supplier	QIXIA DALI MINING MACHINERY CO.LTD CHINA
Motivation for recommending this supplier	We recommend this supplier because they meet with our requirements, and we have been using this equipment (LHD)
Estimated Value/Budget and Cost	\$60 000
What other Mine/Mines are using this service(s)/ product(s)?	MUSHA
Additional information	

We the undersigned do hereby declare that:

Neither I, nor any members of my family are directly or indirectly employed; directors of the company; members of close corporation or share in partnership or joint venture with the supplier referred to in this motivation.

All Sole Supplier Motivations/ Bid Waiver Motivations must be signed off in terms of the Delegation of Authority (DOA).

Summary Table of Authorisation –Budgeted Requisitions

Value	Authorisation
\$5 000 to \$50 000	Manager, General Manager
\$50 001 to \$100 000	Manager, General Manager, COO
\$100 001 to \$400 000	Manager, General Manager, COO & CEO
\$400 001	Manager, General Manager, COO, CEO and Board

J. Pierce NUYITEBEKA

Name

MINE SUPERINTENDENT

Designation

[Signature]

Signature

22/01/2025

Date

[Signature]

Name

[Blank]

Designation



Signature

22/01/2025

Date

Motivation supported

[Blank]

Group Procurement Superintendent

[Blank]

Date

S.T. PEARL

Name

COO

Designation

[Signature]

Signature

[Blank]

Date

[Blank]

Name

[Blank]

Designation

[Blank]

Signature

[Blank]

Date

George Sande

Group Supply Chain Manager

18/2/2025

Date